

MEGA FORT



YEAR OF PRODUCTION 2023

MEGA
FORT

MEGA FORT

MODELS AVAILABLE ON THE MARKET:

- MF of a capacity of 25 m³ and weight 6200kg* on the chassis 7500 (MF 25/7500)
- MF of a capacity of 28 m³ i and weight 6400kg on the chassis 7500 (MF 28/7500)
- MF of a capacity of 28 m³ i and weight 6600kg on the chassis 8360 (MF 28/8360)
- MF of a capacity of 32 m³ and weight 6700kg on the chassis 8360 (MF 32/8360)

Vehicles MEGA FORT have 3 YEARS GUARANTY for the steel construction.

From 5980kg

*configuration (4,5:3,2)

*Without a wheel and an elewator

*package ALU (rims, tank and support legs)

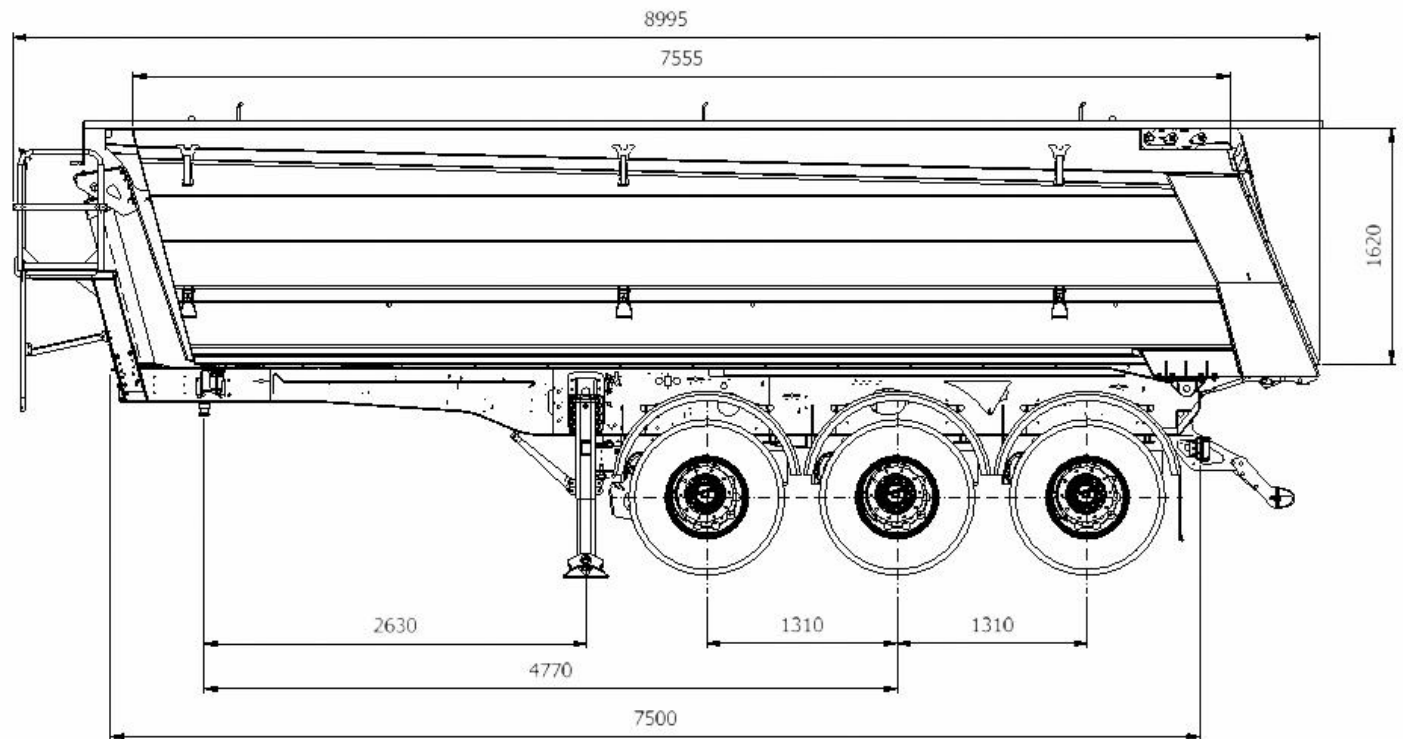
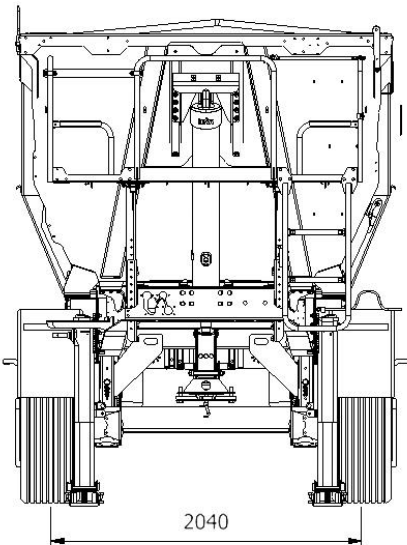
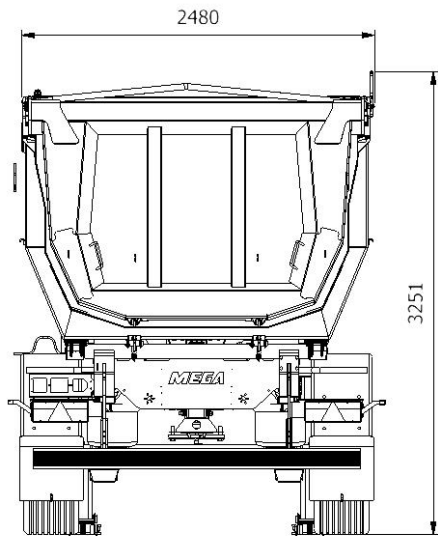
25/7500 (5/4)

Weight: 6200kg

*with additional wheel 6320kg

MEGA
FORT

MEGA FORT



- MF 25/7500

MEGA
FORT

MEGA FORT

EQUIPMENT:

I. SAFETY:

- Pneumatic KNORR ILVL - all the systems KNORR included in MEGA SAFE package
- Actuator HYVA or Binotto - stability while unloading
- Safety systems supporting the work of driver

II. ENDURANCE

- The floor made of 5mm thick steel Hardox (HB450) or 4,5 mm 500 Tuf
- Frame reinforcing the floor along the entire length of the vehicle
- Unique construction of load box preventing from deformation

III. COMFORT / CLIENT SUPPORT

- Flap with a chute built into the load box
- Flap articulated hinge
- System HBS (spring assisted bumper lifting).
Electronical moving roof Cramaro (automatic or manual)
Possibility of enabling the distribution of the load through the transverse cable of the tarpaulins
- Fast rolling up the tarpaulin

MEGA FORT

PACKAGES OF SAFETY:

I. MEGA SAFE - STANDARD

- TA - tipping angle of the load box
- BLS - the sensor of lifting a box
- BLEF - protection against a driving with the body raised
- PW - the sensor of usadge of lining

II. MEGA SAFE PRO - EXTRA EQUIPMENT

Various choice of additional options, including:

- TPMS - the sensor of pressure and temperature in tires
- RLF - brake under the asphalt paver

Sets based on Knorr- Bremse systems



KNORR-BREMSE

**MEGA
FORT**

MEGA FORT

COLOURS AVAILABLE IN STANDARD:

RAL 3002

IC 194

RAL 9006

RAL 9005

RAL 1003

RAL 5005

RAL 7024

RAL 9007

RAL 9010

RAL 6001

MEGA 4
FORT 4

MEGA FORT

In year 2017 without losing our Polish character, we became a part of the international Group Benalu-Legras. That fact has opened a new chapter in our company and created a new quality of our products.



We are trying our hardest to give in your hands' a vehicle with the best technical and strength parameters. We lead with a rule „to stand still is to move backwards” and according to that we develop and modify products from feedback given to us by a user. We look for technology, solutions, materials and components that have a positive impact on safety, durability, lightness, modernity and comfort of servicing our trailers. We are counting that the new range of vehicles MEGAFORT will satisfy the most demanding user - which means You and with You it will overcome any road and deliver every loading safely on the right place and time.

MEGA Sp. z o. o. reserves the right to make changes to the components and materials used, technical parameters, colors and other specification items.

Please treat all information contained in this folder as indicative, as it does not constitute an offer within the meaning of the Civil Code and is not binding. In order to obtain the latest information or offer, please contact the MEGA Sales Department.



MEGA FORT

CONTACT:

Wojciech Dolina - Export Sales Specialist

m: [+48 602 356 821](tel:+48602356821)

e: w.dolina@mega-nysa.pl



Michał Brodziński - Director of Sales

m: [+48 786 109 210](tel:+48786109210)

e: m.brodzinski@mega-nysa.pl